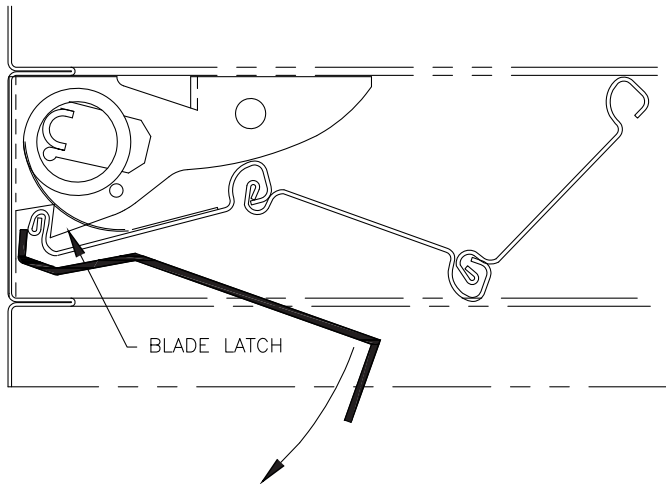
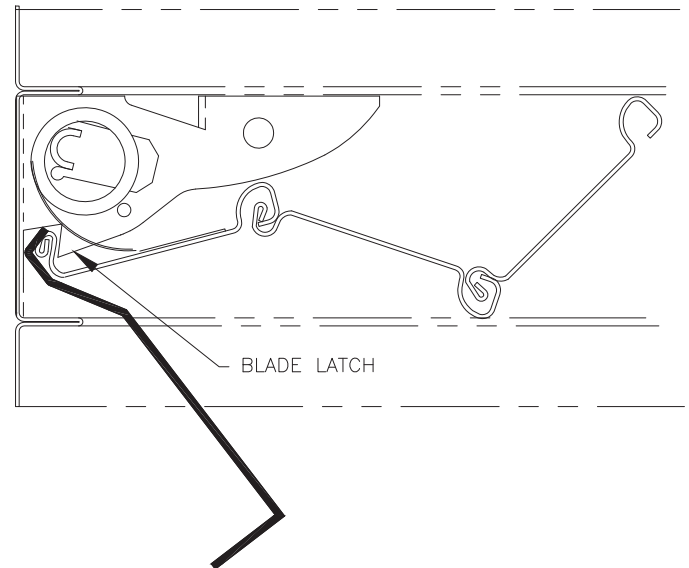


1. Insert tool as shown, near the end of the blade. Push the tool against the blade and rotate.



2. To disengage the blade from the blade latch, pull the tool until the blade is out of the latch.

3. While holding the released end of the blade out of the blade latch. Repeat the process on the other end of the blade until its released.



Our Commitment

As a result of our commitment to continuous improvement, Greenheck reserves the right to change specifications without notice.

Product warranties can be found online at Greenheck.com, either on the specific product page or in the literature section of the website at Greenheck.com/Resources/Library/Literature.