

**Installation Instruction Supplement for  
SMD, SMDR & SSSMD Series Smoke Dampers and FSD, FSD-3xxV & SSFSD Series  
Combination Fire Smoke Dampers and CFSD Series Corridor Ceiling  
Dampers with Factory Mounted Duct Smoke Detectors**

**Refer to:**

'Installation Instructions for SMD, SMDR and SSSMD Series Leakage Rated Smoke Dampers' (Part #461338)

or

'Installation Instructions for CFSD Series Corridor Ceiling Dampers' (Part #461335)

or

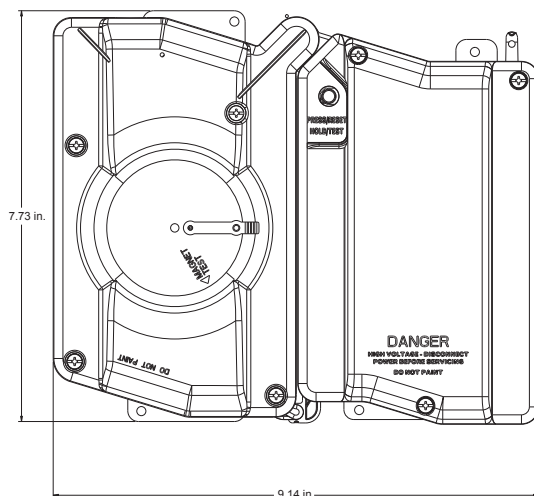
'Installation Instructions for FSD, DFD, and SSFSD Series Combination Fire Smoke Dampers' (Part #481318) and FSD-3XXV series (Part # 461666) for additional details.

**"UL CLASSIFIED (see complete marking on product)"**

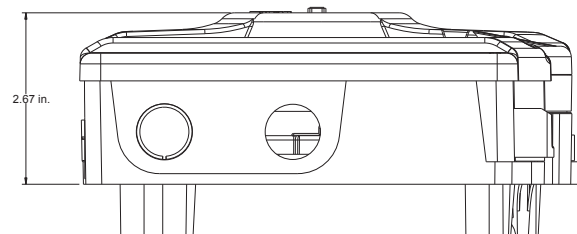
**"UL CLASSIFIED to Canadian safety standards (see complete marking on product)"**

Standard 555 (Listing #R13317)

Standard 555S (Listing #R13447)



**Square**

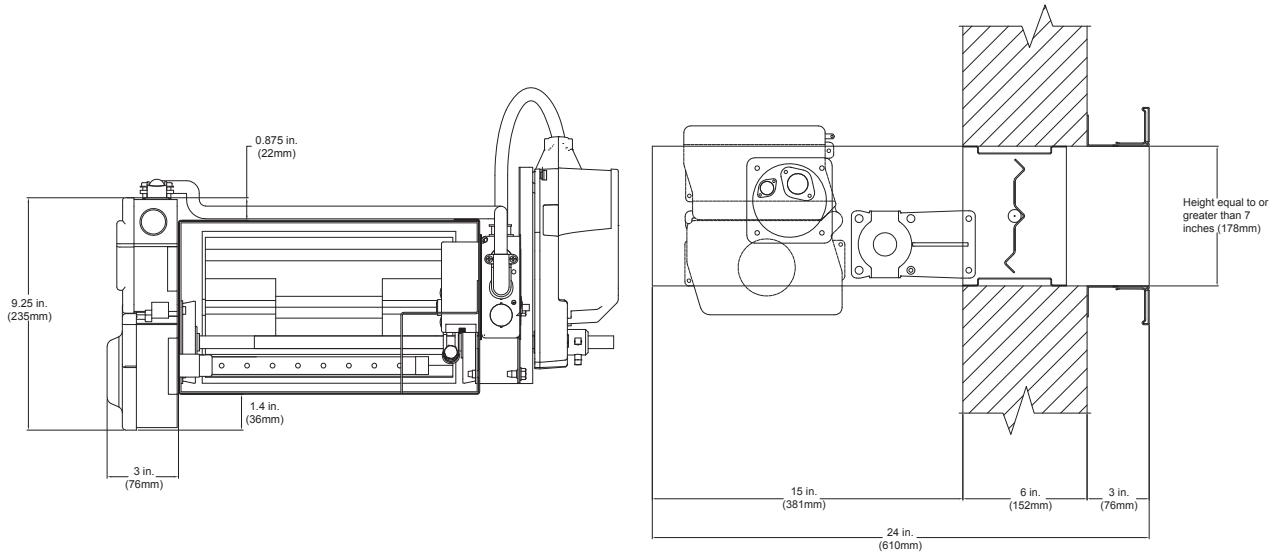


**Notes**

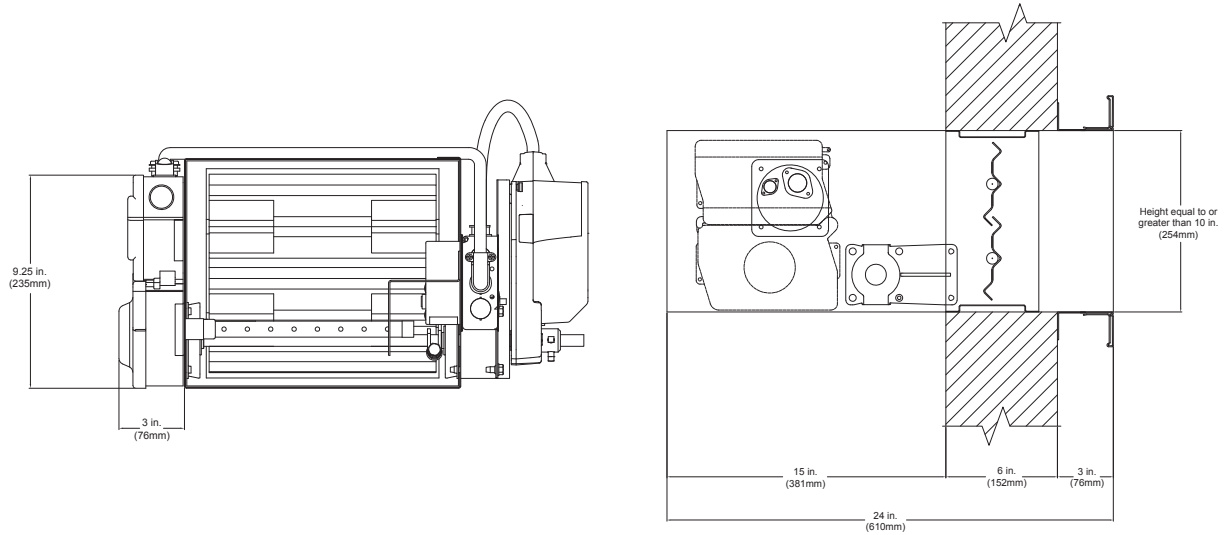
1. Minimum air velocity for smoke detector operation is 100 fpm (2.5 m/s). Maximum is 4000 fpm (20.3 m/s).
2. Since the smoke detector is not rated for use at velocities below 100 fpm (2.5 m/s), local code may require an alternate means of damper closure such as zone detection or automated damper closure when the system fan is shut down. The local authority having jurisdiction should be consulted prior to the installation of the damper and smoke detector.
3. Holes on sampling tube must face into airstream.
4. Smoke detector specifications are:  
 Operating temperature range: -4°F to 158°F  
 (-20°C to 70°C)  
 Operating humidity range: 10% to 95% R.H.  
 Operation voltage: 24 VAC/DC or 120 VAC  
 (50/60 Hz)
5. Refer to System Sensor, DUCTSD Installation and Maintenance Instructions for further installation details.
6. Refer to System Sensor, DUCTSD, Installation and Maintenance Instructions for maintenance and field tests.
7. System Sensor  
 3825 Ohio Avenue  
 St. Charles, Illinois 60174  
 Phone: 1-800-SENSOR2  
 Fax: 1-630-377-6495  
 Website: <http://www.systemsensor.com>

# Mounting Orientation and Space Envelopes

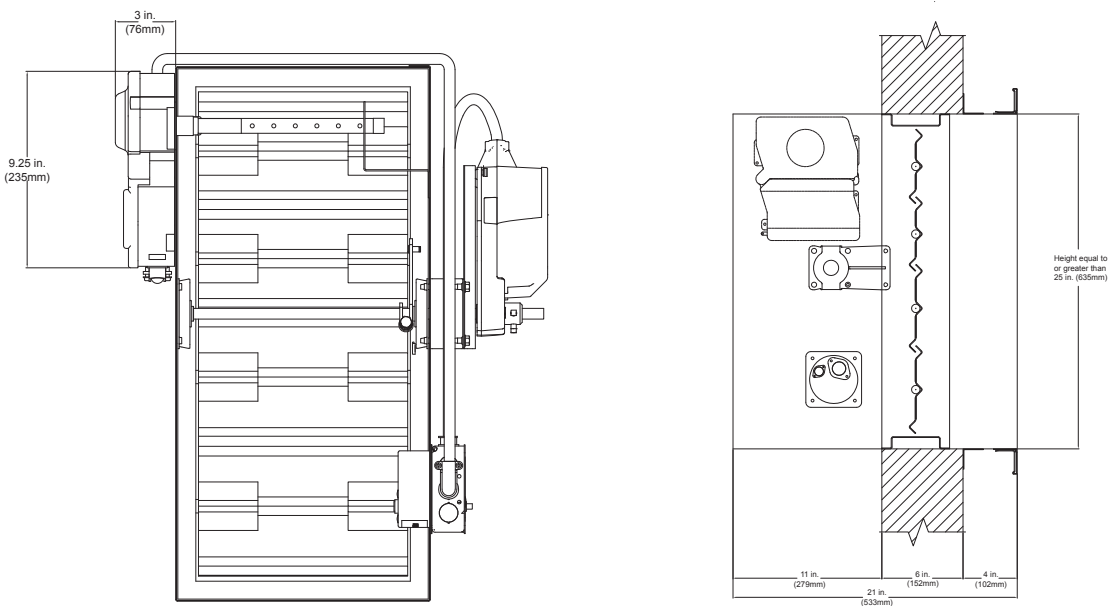
## Dampers Equal to or Greater Than 7 inches (178mm) But Less Than 10 Inches (254mm) in Height



## Dampers Equal to or Greater Than 10 inches (254mm) But Less Than 25 Inches (635mm) in Height



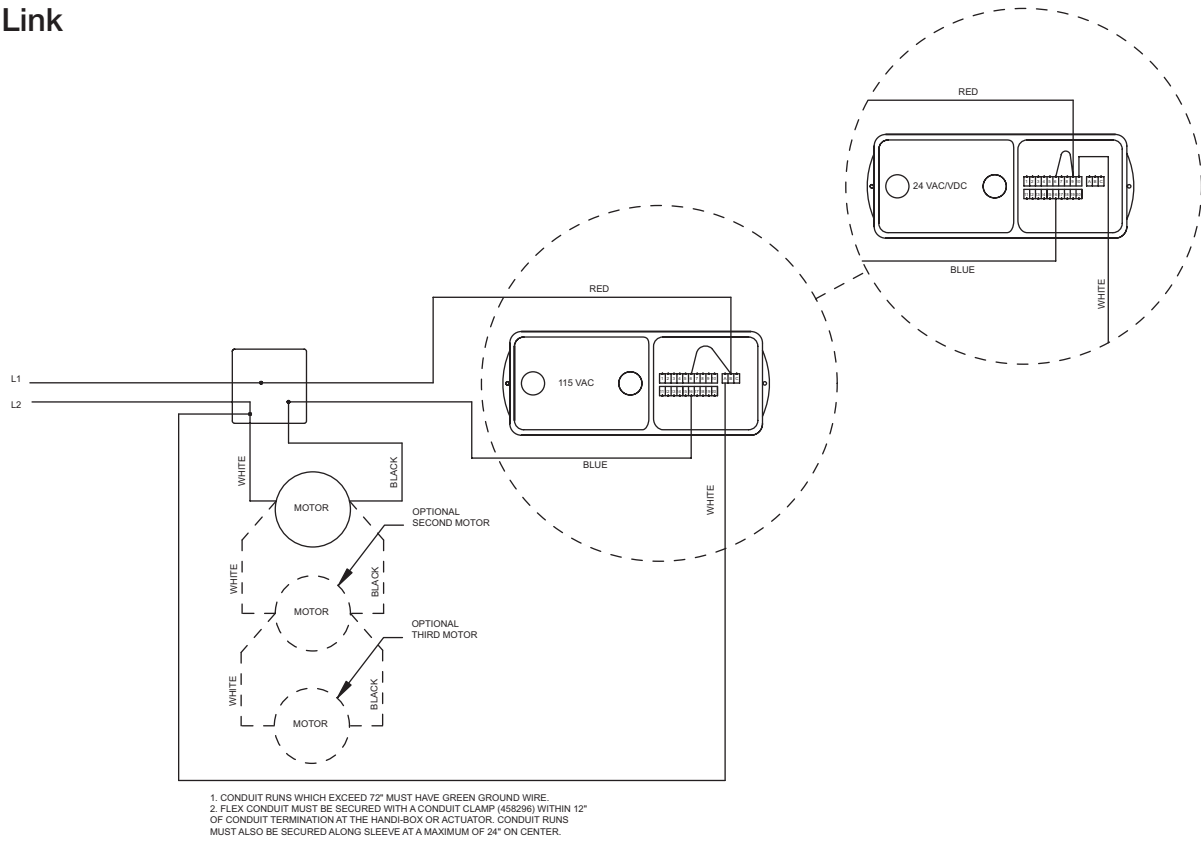
## Dampers Equal to or Greater Than 25 inches (635mm) in Height



# Wiring Diagrams

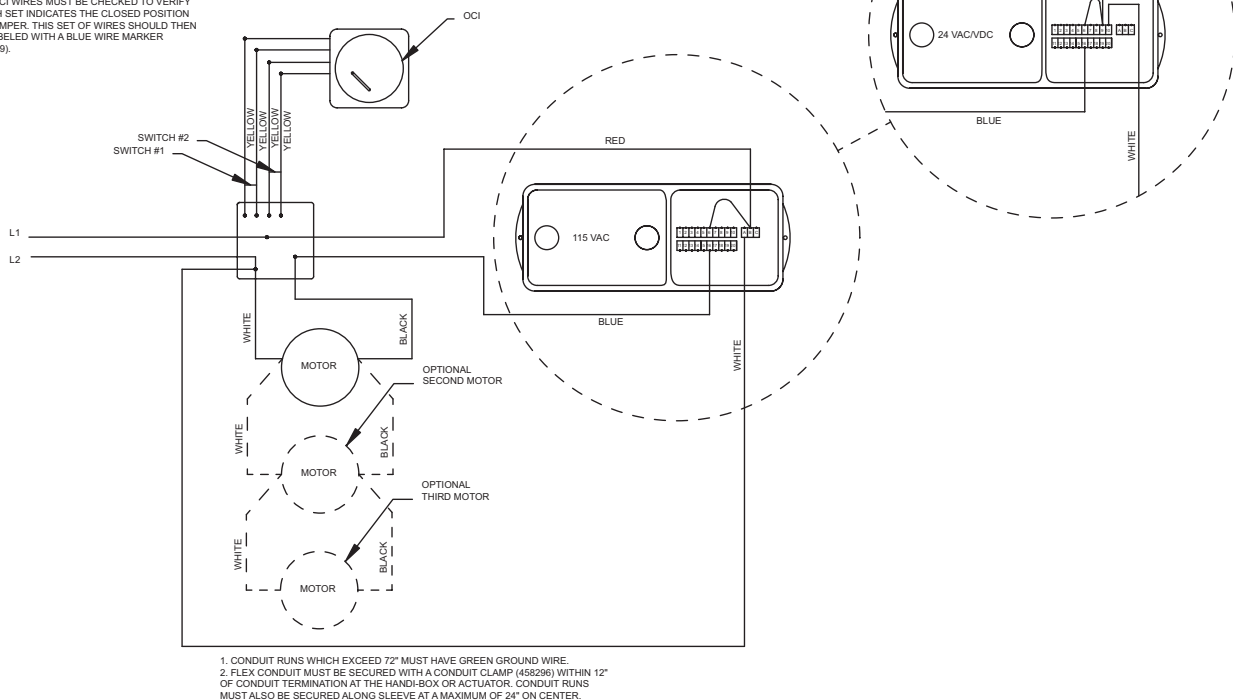
# Duct smoke detector

## Fusible Link



## OCI

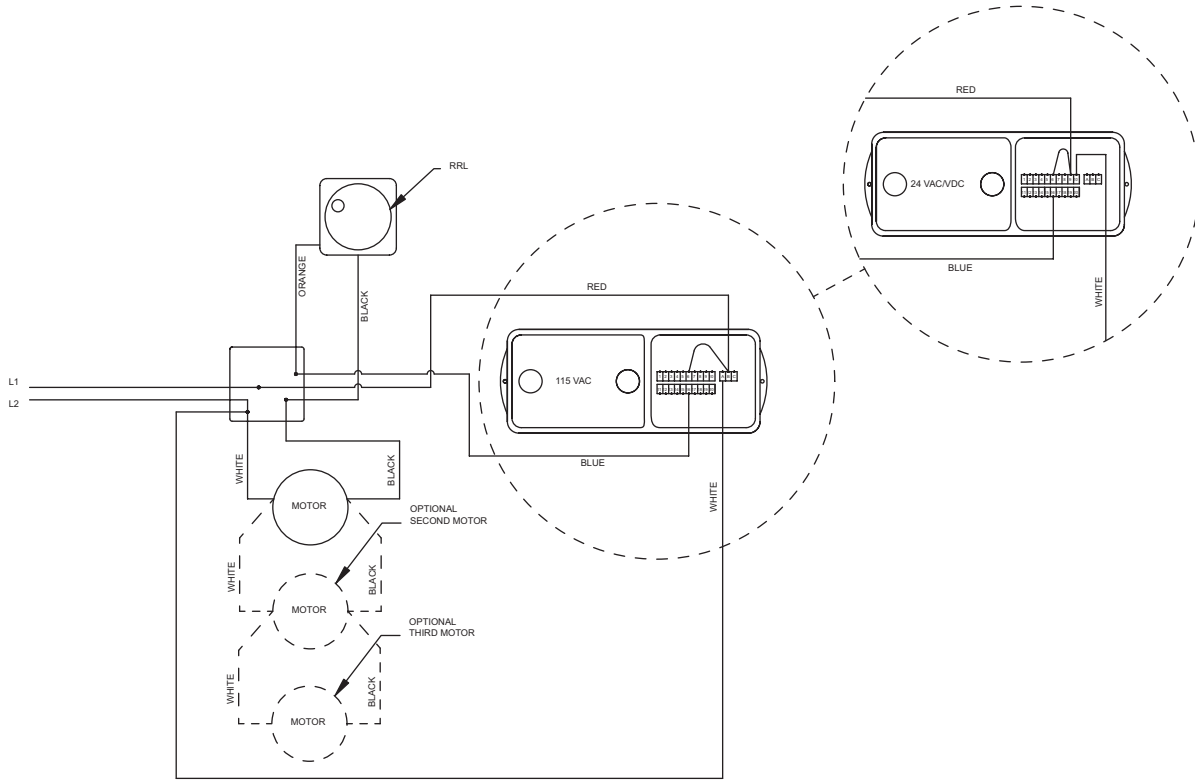
THE OCI WIRES MUST BE CHECKED TO VERIFY WHICH SET INDICATES THE CLOSED POSITION OF DAMPER. THIS SET OF WIRES SHOULD THEN BE LABELED WITH A BLUE WIRE MARKER (382169).



# Wiring Diagrams

# Duct smoke detector

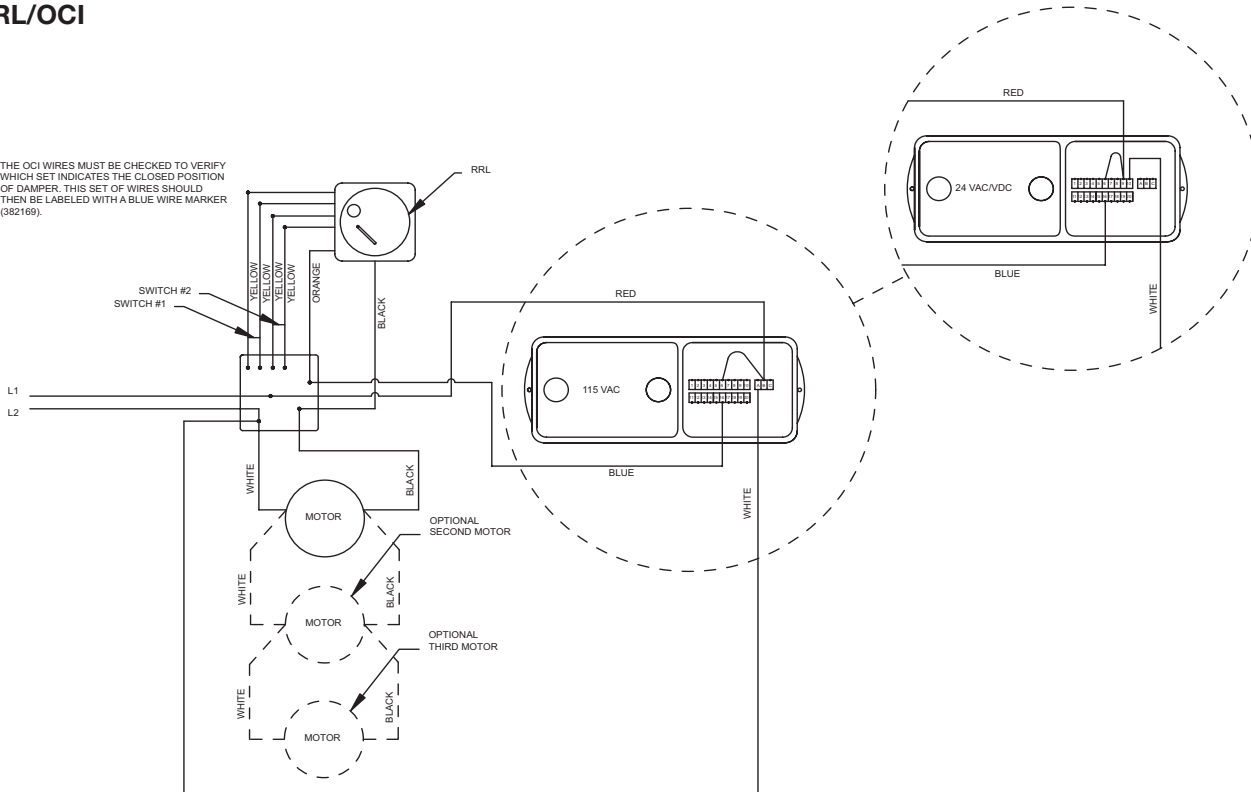
RRL



1. CONDUIT RUNS WHICH EXCEED 72" MUST HAVE GREEN GROUND WIRE.
2. FLEX CONDUIT MUST BE SECURED WITH A CONDUIT CLAMP (458296) WITHIN 12" OF CONDUIT TERMINATION AT THE HAND-BOX OR ACTUATOR. CONDUIT RUNS MUST ALSO BE SECURED ALONG SLEEVE AT A MAXIMUM OF 24" ON CENTER.

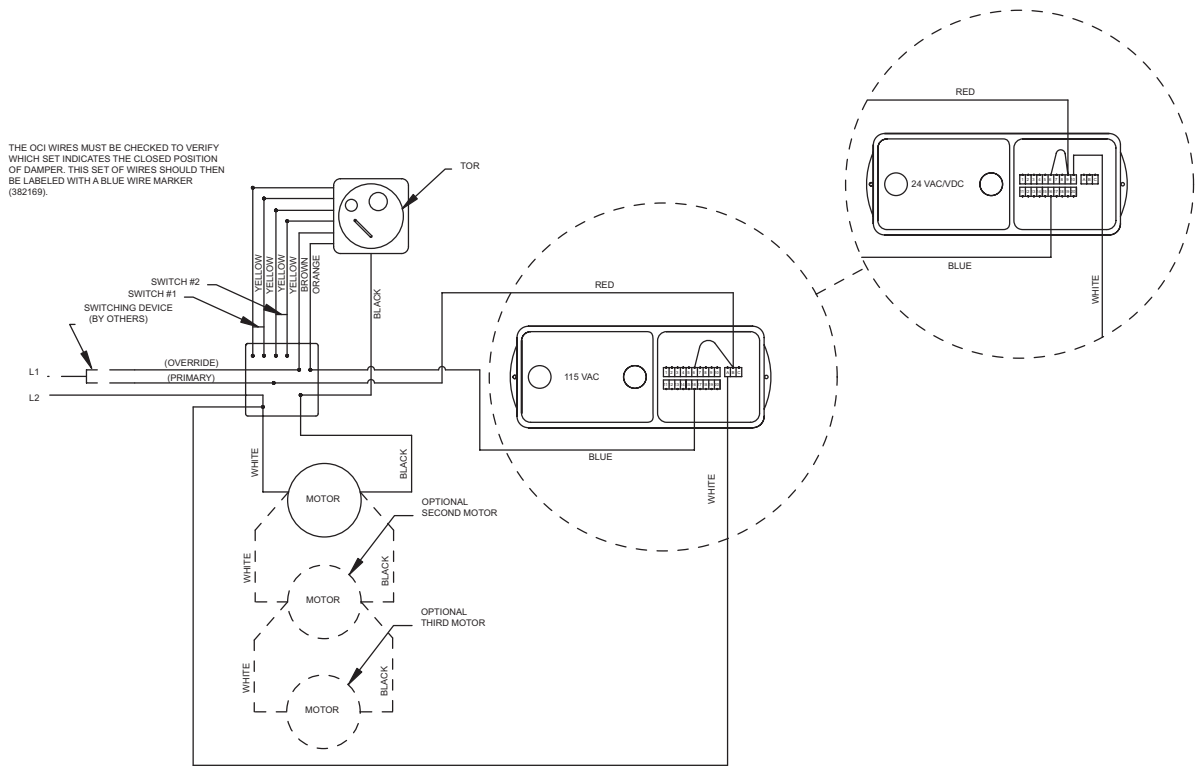
RRL/OCI

THE OCI WIRES MUST BE CHECKED TO VERIFY WHICH SET INDICATES THE CLOSED POSITION OF DAMPER. THIS SET OF WIRES SHOULD THEN BE LABELED WITH A BLUE WIRE MARKER (382169).



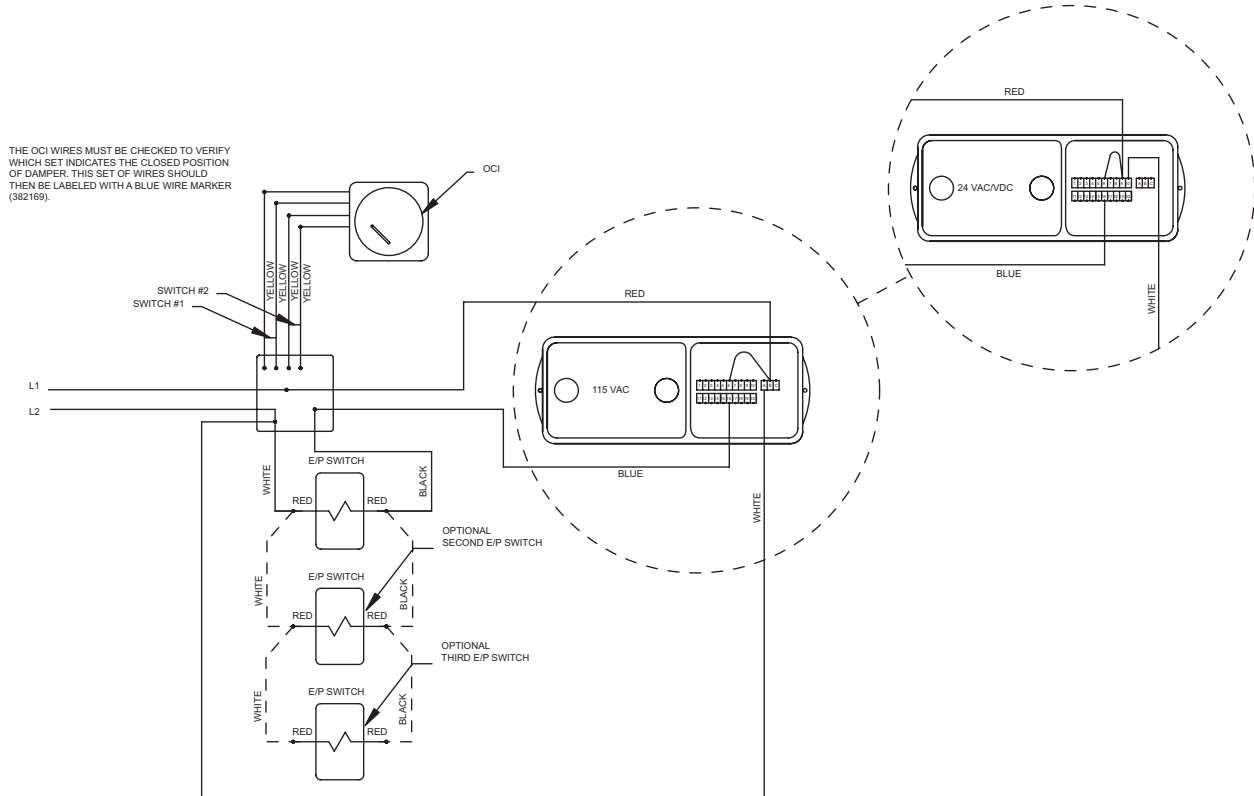
1. CONDUIT RUNS WHICH EXCEED 72" MUST HAVE GREEN GROUND WIRE.
2. FLEX CONDUIT MUST BE SECURED WITH A CONDUIT CLAMP (458296) WITHIN 12" OF CONDUIT TERMINATION AT THE HAND-BOX OR ACTUATOR. CONDUIT RUNS MUST ALSO BE SECURED ALONG SLEEVE AT A MAXIMUM OF 24" ON CENTER.

## TOR



1. CONDUIT RUNS WHICH EXCEED 72" MUST HAVE GREEN GROUND WIRE.
2. FLEX CONDUIT MUST BE SECURED WITH A CONDUIT CLAMP (458296) WITHIN 12" OF CONDUIT TERMINATION AT THE HANDI-BOX OR ACTUATOR. CONDUIT RUNS MUST ALSO BE SECURED ALONG SLEEVE AT A MAXIMUM OF 24" ON CENTER.

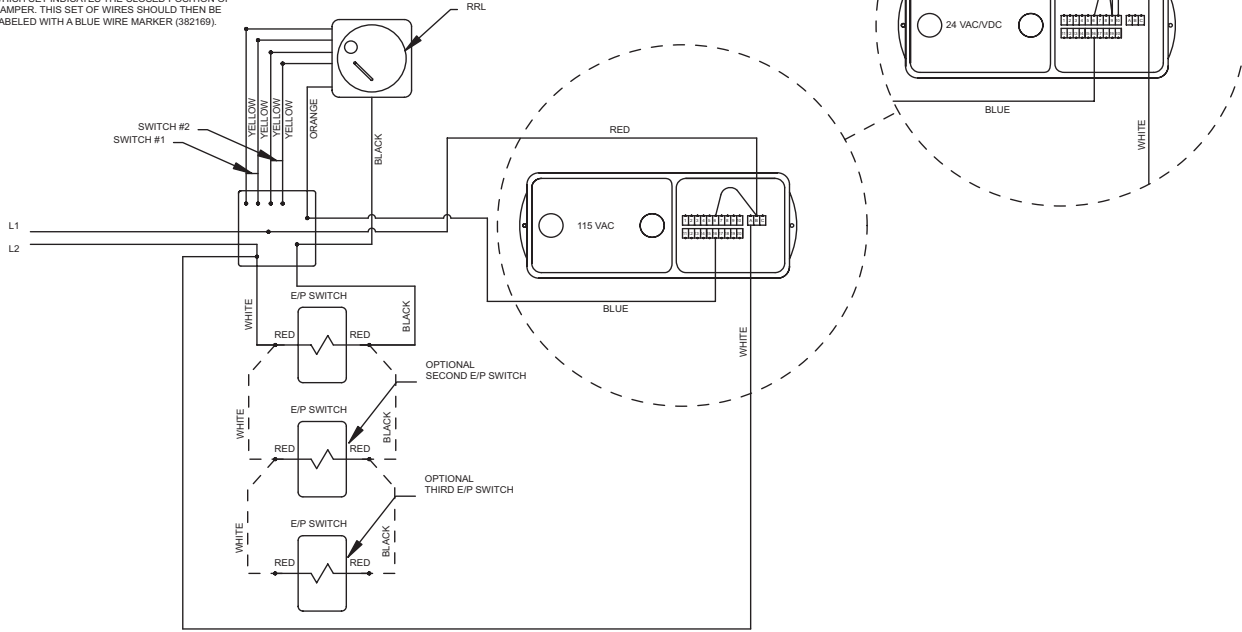
## OCI w/ EP switch



1. CONDUIT RUNS WHICH EXCEED 72" MUST HAVE GREEN GROUND WIRE.
2. FLEX CONDUIT MUST BE SECURED WITH A CONDUIT CLAMP (458296) WITHIN 12" OF CONDUIT TERMINATION AT THE HANDI-BOX OR ACTUATOR. CONDUIT RUNS MUST ALSO BE SECURED ALONG SLEEVE AT A MAXIMUM OF 24" ON CENTER.

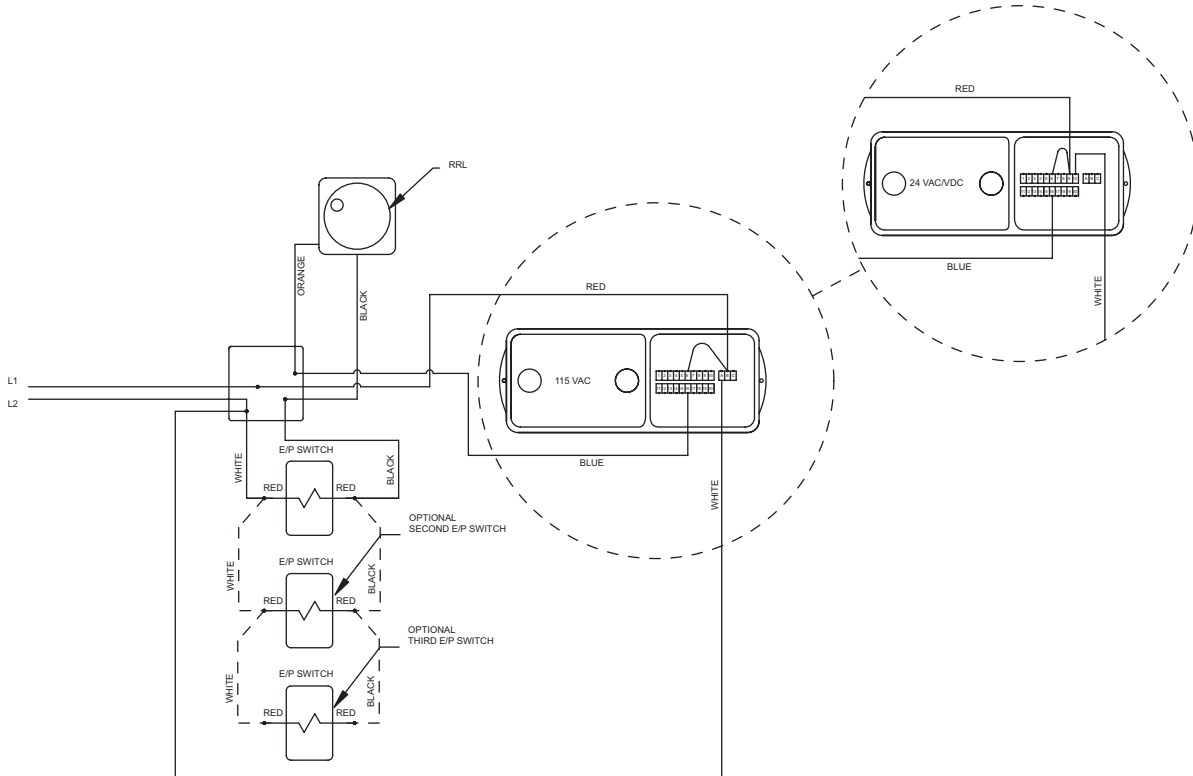
## RRL/OCI w/ EP switch

THE OCI WIRES MUST BE CHECKED TO VERIFY WHICH SET INDICATES THE CLOSED POSITION OF DAMPER. THIS SET OF WIRES SHOULD THEN BE LABELED WITH A BLUE WIRE MARKER (382169).



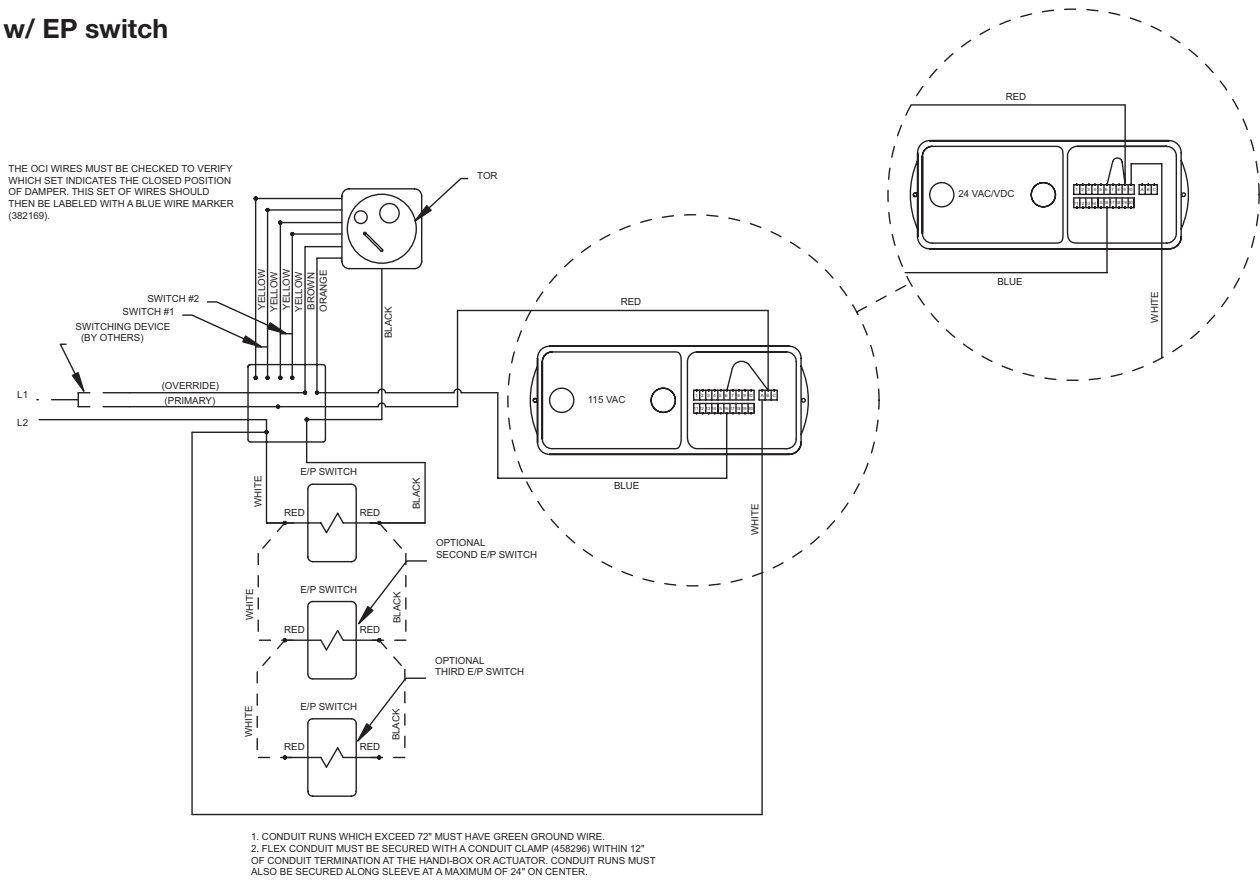
1. CONDUIT RUNS WHICH EXCEED 72" MUST HAVE GREEN GROUND WIRE.
2. FLEX CONDUIT MUST BE SECURED WITH A CONDUIT CLAMP (458296) WITHIN 12" OF CONDUIT TERMINATION AT THE HAND-BOX OR ACTUATOR. CONDUIT RUNS MUST ALSO BE SECURED ALONG SLEEVE AT A MAXIMUM OF 24" ON CENTER.

## RRL w/ EP switch



1. CONDUIT RUNS WHICH EXCEED 72" MUST HAVE GREEN GROUND WIRE.
2. FLEX CONDUIT MUST BE SECURED WITH A CONDUIT CLAMP (458296) WITHIN 12" OF CONDUIT TERMINATION AT THE HAND-BOX OR ACTUATOR. CONDUIT RUNS MUST ALSO BE SECURED ALONG SLEEVE AT A MAXIMUM OF 24" ON CENTER.

## TOR w/ EP switch



**Figure 3:** Label applied to dampers with factory mounted duct smoke detectors.

Smoke detector requires 100 fpm minimum air velocity in duct. For damper activation requirements when system velocity is less than 100 fpm, the local authority having jurisdiction should be consulted.

Refer to smoke detector installation instructions and Greenheck IOM - Smoke Detector Supplement FS for dampers with factory mounted duct smoke detectors.

458565

