

Installation Instruction Supplement for SMD, SESMD, & SSSMD Series Smoke Dampers and FSD, FSD-3XXV, SEFSD, & SSFSD Series Combination Fire Smoke Dampers with Factory Mounted No Flow Duct Smoke Detectors

Refer to:

'Installation Instructions for SMD, SESMD, and SSSMD Series Leakage Rated Smoke Dampers' (Part #461338)

or

'Installation Instructions for FSD, DFD, SEFSD, SSFSD Series Combination Fire Smoke Dampers' and (Part #481318) for additional details.

UL CLASSIFIED (see complete marking on product)

UL CLASSIFIED to Canadian safety standards (see complete marking on product)

Standard 555 (Listing #R13317)

Standard 555S (Listing # R13447)

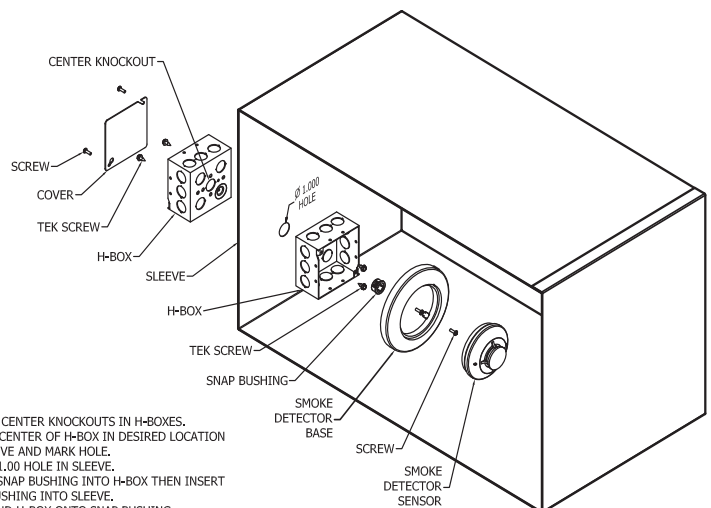
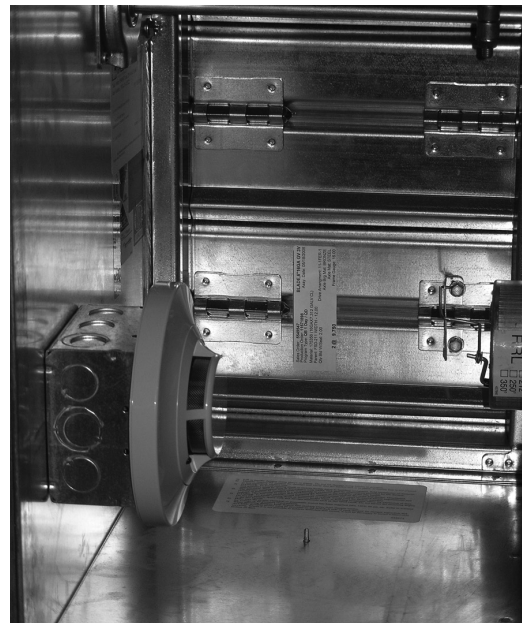


NOTES

1. Minimum air velocity for smoke detector operation is 0 fpm. Maximum is 3000 fpm.
2. Model 2151 low profile smoke detector is mounted to a standard electrical box within the duct. The twist-in/twist-out head allows easy removal from the base for quick cleaning and maintenance.
3. Smoke detector specifications are:
Operating temperature rating: 32°F to 120°F (0°C to 49°C)
Operating humidity range: 10% to 93% RH
Operation voltage: 120 VAC
4. Refer to System Sensor, 2151, Installation and Maintenance Instructions for further installation details.
5. Refer to System Sensor, 2151, Installation and Maintenance Instructions for maintenance and field tests.

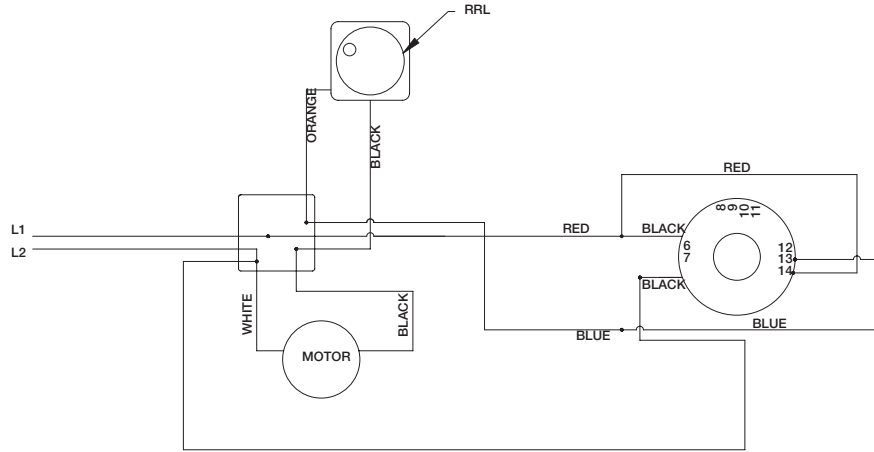
6. System Sensor

3825 Ohio Avenue
St. Charles, IL 60174
Phone: 1-800-736-7672
Fax: 1-630-377-6495
Website: www.systemsensor.com

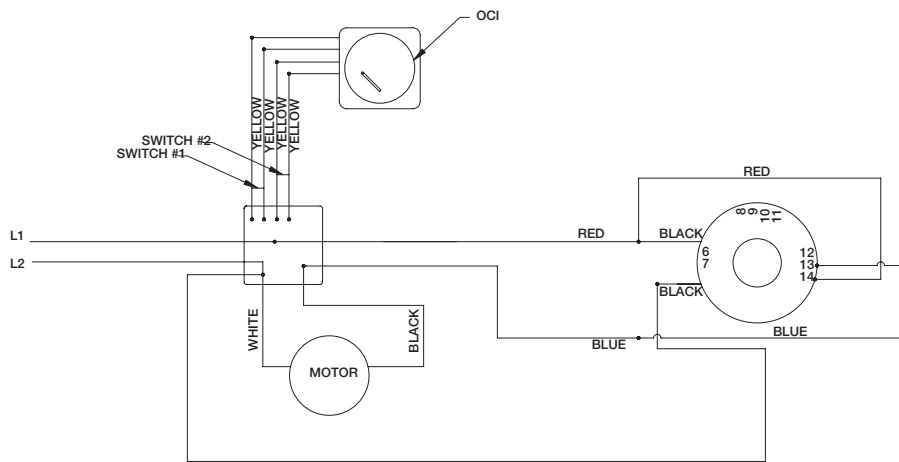


1. REMOVE CENTER KNOCKOUTS IN H-BOXES.
2. LOCATE CENTER OF H-BOX IN DESIRED LOCATION ON SLEEVE AND MARK HOLE.
3. DRILL Ø1.00 HOLE IN SLEEVE.
4. INSERT SNAP BUSHING INTO H-BOX THEN INSERT SNAP BUSHING INTO SLEEVE.
5. PLACE 2ND H-BOX ONTO SNAP BUSHING.
6. INSTALL TEK SCREWS
7. WIRE SMOKE DETECTOR PER SYSTEM SENSOR INSTALLATION INSTRUCTIONS
8. INSTALL SMOKE DETECTOR BASE
9. INSTALL SMOKE DETECTOR SENSOR

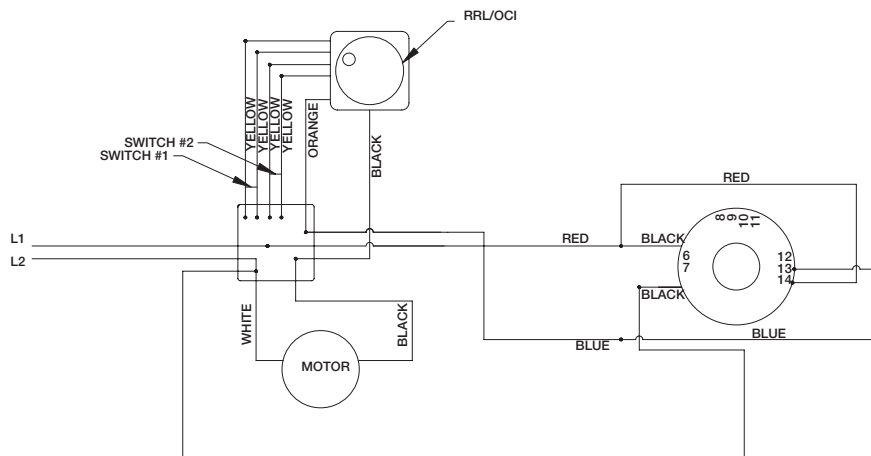
Wiring Diagrams



RRL

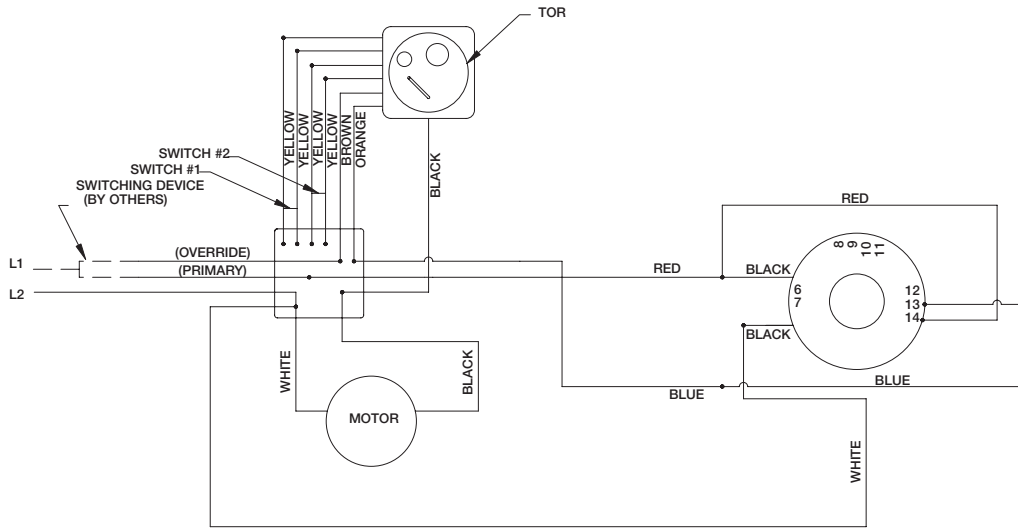


OCI



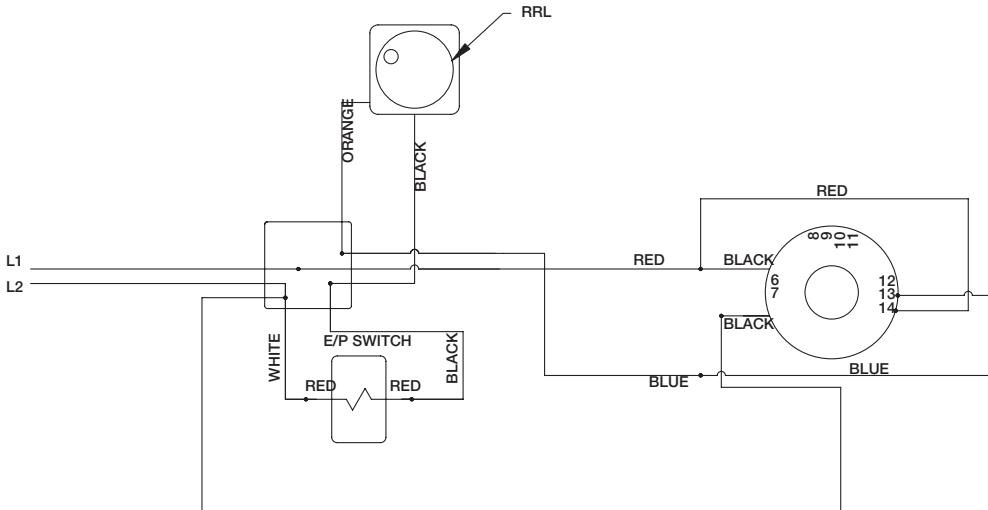
RRL/OCI

TOR

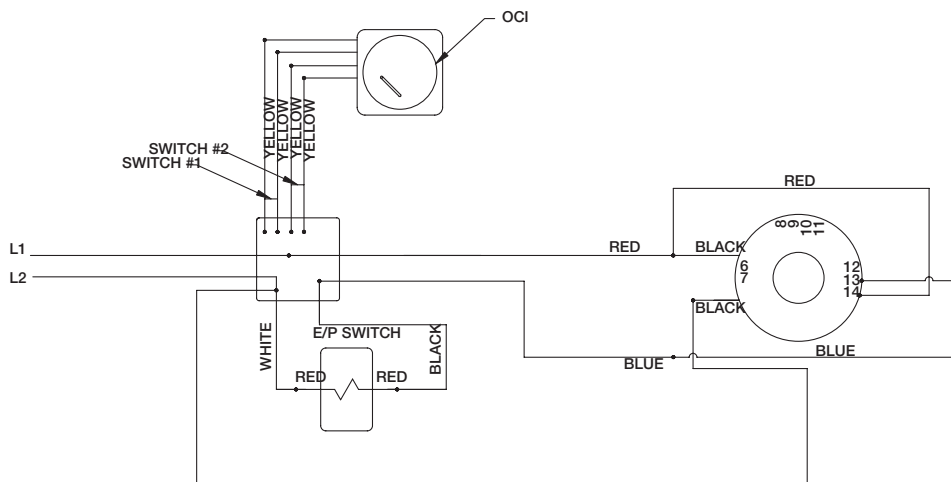


Wiring Diagrams with EP Switch

RRL

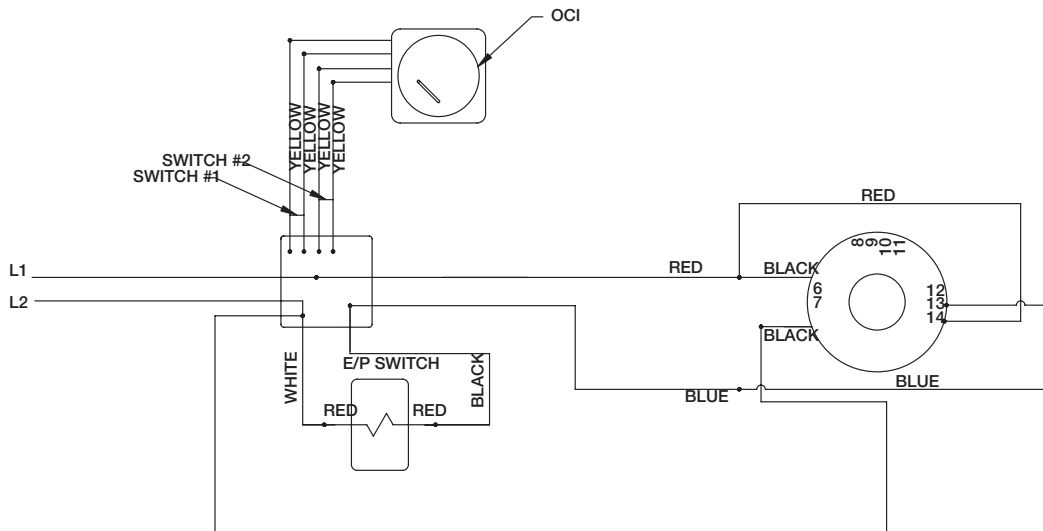


OCI

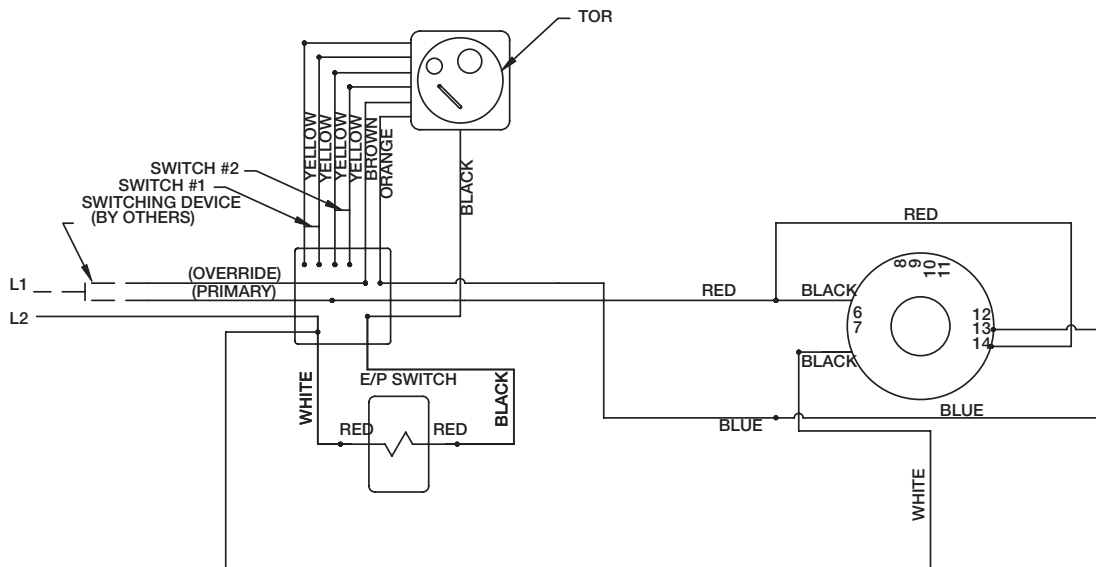


Wiring Diagrams with EP Switch cont...

RRL/OCI



TOR



Our Commitment

As a result of our commitment to continuous improvement, Greenheck reserves the right to change specifications without notice.

Specific Greenheck product warranties are located on greenheck.com within the product area tabs and in the Library under Warranties.



Phone: (715) 359-6171 • Fax: (715) 355-2399 • E-mail: gfcinfo@greenheck.com • Website: www.greenheck.com