

IBDT/1/2

Style A And B Thinline Curtain Type Static Fire Dampers
1 1/2 Hour Rating | For Use In Static Systems



APPLICATION

The Model IBDT is a thinline fire damper that can be installed vertically in walls and partitions or horizontally in masonry floors with fire resistance ratings of less than 3 hours. The IBDT carries a 1 1/2 hour UL fire damper label and is classified as a static damper for use in HVAC systems that shut down during a fire.

STANDARD CONSTRUCTION

Frame	Galvanized steel: (in gauges required by U.L. Listing).
Blades	Galvanized steel: (in gauges required by U.L. Listing).
Closure Springs (Horizontal Only)	301 stainless steel constant force type.
Fusible Link	165°F (74°C) is standard. 212°F (100°C) is available.

DAMPER SIZES

Minimum Size	Vertical Installation – 4" w x 4" h (102 x 102).
	Horizontal Installation – 6" w x 6" h (152 x 152).
Maximum Size	Single Section
	Vertical Installation – 40" w x 48" h (1016 x 1219). Horizontal Installation – 36" w x 36" h (914 x 914).

OPTIONS

Switch Package to remotely indicate damper blade position.
FAST Angle for one side angle installation.
Sleeve of various lengths and gauges to insure field compliance with UL installation requirements.
FireStop Caulk Installation.



Model IBDT meets the requirements for fire, dampers established by:

- ▶ **National Fire Protection Association**
NFPA Standards 80, 90A, 92A, 92B and 101
- ▶ **ICC International Building Codes**
- ▶ **CSFM California State Fire Marshal**
Fire Damper Listing (#3225-245:0005)

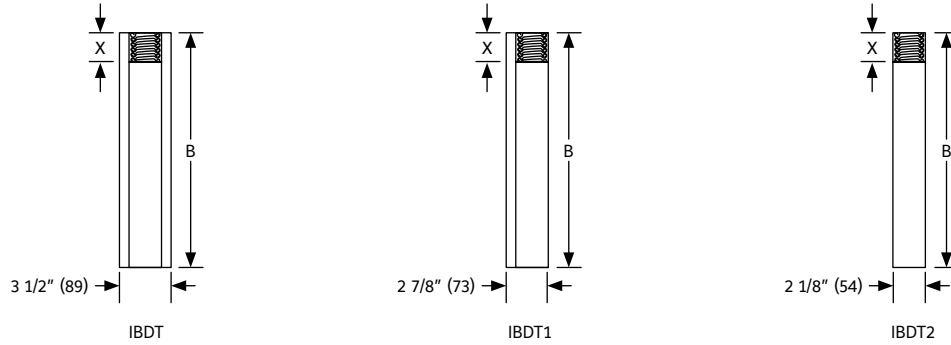


SEE COMPLETE MARKING ON PRODUCT

UL CLASSIFIED
UL555 Listing R5531
ULC S112

NOTE: Dimensions shown in parentheses () indicate millimeters.

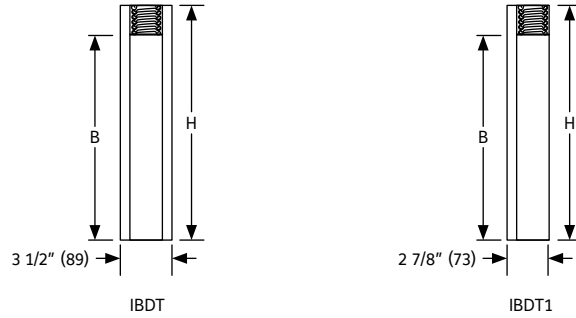
STYLE A DIMENSIONS



B	X
4 (102)	1 5/8 (41)
5 (127)	1 7/8 (48)
6 (152)	1 7/8 (48)
7 (178)	2 (51)
8 (203)	2 1/4 (57)
9 (229)	2 1/2 (63)
10 (254)	2 3/4 (69)
11 (279)	3 (76)
12 (305)	3 1/4 (83)
13 (330)	3 1/2 (89)
14 (356)	3 1/2 (89)
15 (381)	3 5/8 (92)
16 (406)	3 7/8 (98)
17 (432)	4 1/8 (105)
18 (457)	4 3/8 (111)
19 (483)	4 5/8 (117)
20 (508)	4 7/8 (124)
21 (533)	5 (127)
22 (559)	5 1/4 (133)
23 (584)	5 1/4 (133)
24 (610)	5 1/2 (140)
25 (635)	5 3/4 (146)
26 (660)	5 7/8 (149)

B	X
27 (686)	6 1/8 (156)
28 (711)	6 3/8 (162)
29 (737)	6 5/8 (168)
30 (762)	6 7/8 (175)
31 (787)	7 (178)
32 (813)	7 (178)
33 (838)	7 1/4 (184)
34 (864)	7 1/2 (190)
35 (889)	7 3/4 (197)
36 (914)	8 (203)
37 (940)	8 1/8 (206)
38 (965)	8 3/8 (213)
39 (991)	8 5/8 (219)
40 (1061)	8 5/8 (219)
41 (1041)	8 7/8 (225)
42 (1067)	9 (229)
43 (1082)	9 1/4 (235)
44 (1118)	9 1/2 (241)
45 (1143)	9 3/4 (248)
46 (1168)	10 (254)
47 (1194)	10 1/4 (260)
48 (1219)	10 3/8 (264)

STYLE B DIMENSIONS



B	H
4 (102)	5 3/4 (146)
5 (127)	6 3/4 (171)
6 (152)	7 3/4 (197)
7 (178)	8 3/4 (222)
8 (203)	10 3/4 (273)
9 (229)	11 3/4 (298)
10 (254)	12 3/4 (323)
11 (279)	13 3/4 (349)
12 (305)	14 3/4 (375)
13 (330)	16 3/4 (425)
14 (356)	17 3/4 (451)
15 (381)	18 3/4 (476)
16 (406)	20 3/4 (527)
17 (432)	21 3/4 (552)
18 (457)	22 3/4 (578)
19 (483)	23 3/4 (603)
20 (508)	24 3/4 (628)
21 (533)	26 3/4 (679)

B	H
22 (559)	27 3/4 (705)
23 (584)	28 3/4 (730)
24 (610)	30 3/4 (781)
25 (635)	31 3/4 (806)
26 (660)	32 3/4 (832)
27 (686)	33 3/4 (857)
28 (711)	34 3/4 (883)
29 (737)	36 3/4 (933)
30 (762)	37 3/4 (959)
31 (787)	38 3/4 (984)
32 (813)	39 3/4 (1010)
33 (838)	40 3/4 (1035)
34 (864)	42 3/4 (1086)
35 (889)	43 3/4 (1111)
36 (914)	44 3/4 (1137)
37 (940)	45 3/4 (1162)
38 (965)	47 1/4 (1200)

LINKS TO IMPORTANT DOCUMENTS

Document Title

Limited Warranty Document



3900 Doctor Greaves Road
Grandview, MO 64030
Website: www.ruskin.com
Phone: (816) 761-7476